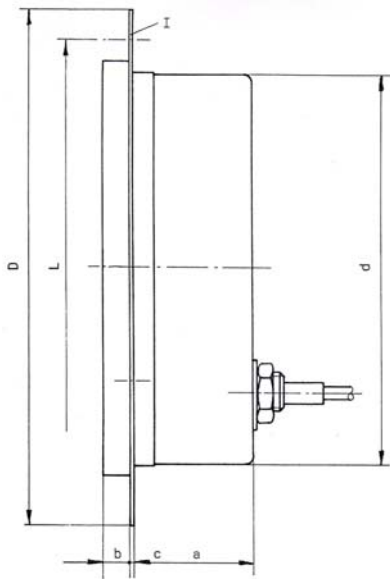


## DISTANT READING THERMOMETERS FOR FLUSH PANEL MOUNTING



**DIMENSIONAL DATA IN MM.**

TYPE NO.	d	D	L	I	a	b	c
<b>1063 F</b>	63	80	74	4,2	25	9	0,5
<b>1080 F</b>	80	105	96	5,2	22	12	0,5
<b>1100 F</b>	100	132	116	4,5	30	8	0,75

- CASE** : Stainless steel. With back adjusting screw  
**FRONT FLANGE RING** : Stainless steel  
**DIAL** : White with black markings. 270 ° defl.  
**SYSTEM** : Double wound spring with bimetal compensation  
**CAPILLARY TUBE** : Plastic covered. Over 120 ° : copper-flex  
**LENGTH** : 0,5 ...- 10,0 meter.  
**BULBS** : See datasheet 3.0 B  
**ACCURACY** : 2,0 ( EN 13 190 )

RANGES °C	GRADUATION	RANGES °C	GRADUATION	RANGES °C	GRADUATION
-40 + 40	: 2	0 - 120	: 2	+50 - 250	: 5
-30 + 50	: 2	0 - 150	: 5	+50 - 350	: 5
0 - 40	: 1	0 - 200	: 5	+100 - 200	: 2
0 - 60	: 1	0 - 250	: 5	+100 - 250	: 5
0 - 80	: 2	0 - 300	: 5	+100 - 300	: 5
0 - 100	: 2	0 - 350	: 5	+100 - 350	: 5

**AVAILABLE ON REQUEST :**

- Capillary tube stainless steel
- Accuracy : +/- 1 %
- Pocket in stainless steel AISI 316
- Electrical contacts : 230 V 5 A or 230 V 10 A
- One way reset marking pointer
- Dual scale °C+°F
- Glycerine filling

