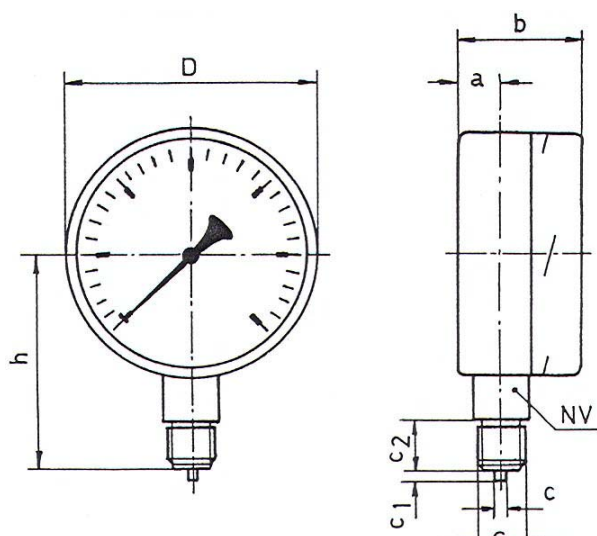


**PRESSURE, VACUUM AND COMPOUND GAUGES  
100, 160 AND 250 MM.  
ALL STAINLESS STEEL, ACCURACY CLASS 1,0**



DIMENSIONAL DATA IN MM.									
TYPE NO.	D	a	b	c	c 1	c 2	NV	G	h
RCh 100-3	100	17	48	6	5	20	17	1/2" RG	87
RCh 160-3	160	19	51	6	5	20	17	1/2" RG	118
RCh 250-3	250	17	51	6	5	20	17	1/2" RG	165

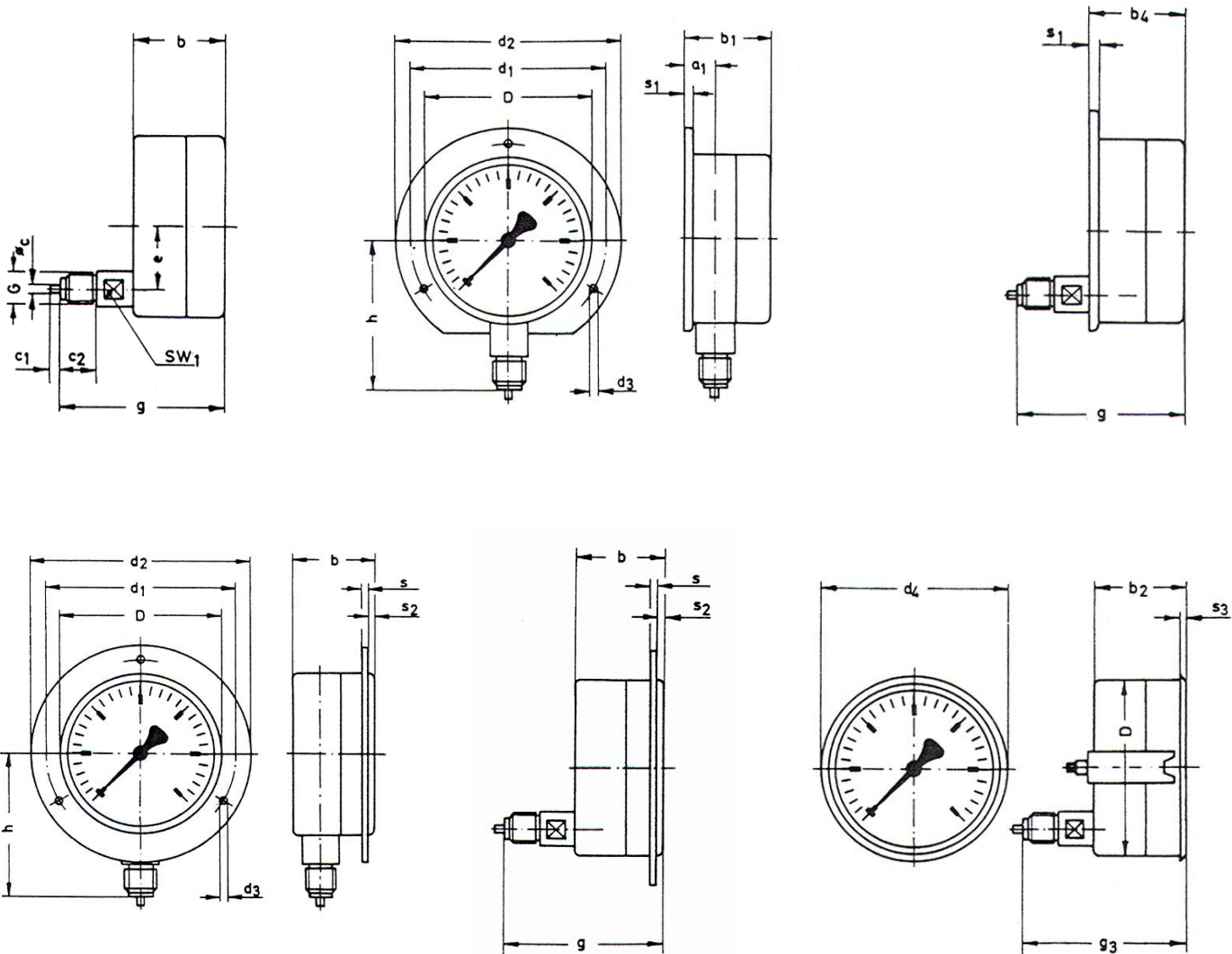
**EURONORM** : EN 837-1  
**CASE AND BEZEL** : Bayonet locking, stainless steel AISI 304, Blow out vent back  
**DIAL** : White with black markings, 270 ° defl  
**MEASURING SYSTEM** : Stainless steel AISI 316  
**TIGHTNESS** : IP 54 ( EN 60529 / IEC 529 )  
**AMBIENT TEMPERATURE:** -25...+300 °C  
**ACCURACY** : 1,0

PRESSURE GAUGES				VAKUUM GAUGES		COMPOUND GAUGES	
RANGE (bar)	DIV.	RANGE (bar)	DIV.	RANGE (bar)	DIV.	RANGE (bar)	DIV.
0-0,6	: 0,01	0-60	: 1,0	-1200-0 (mbar)	: 20	-1-0-0,6	: 0,05
0-1	: 0,01	0-100	: 2,0	-0,6-0	: 0,01	-1-0-1,5	: 0,05
0-1,6	: 0,02	0-160	: 5,0	-1-0	: 0,02	-1-0-3	: 0,1
0-2,5	: 0,05	0-250	: 5,0			-1-0-5	: 0,1
0-4	: 0,1	0-400	: 10			-1-0-9	: 0,2
0-6	: 0,1	0-600	: 10			-1-0-15	: 0,5
0-10	: 0,2	0-1000	: 20				
0-16	: 0,5	0-1600	: 50				
0-25	: 0,5	0-2500	: 50				
0-40	: 1,0	0-4000	: 50				

**MANOMETRENE KAN LEVERES MED :**

- Lower back connection
- Measuring system Monel
- Glycerine or silicone oil filling
- Color marking on dial
- Restrictor screw
- Scale with fine spacing and knife edge pointer
- Transmitter with analog output or contact
- Back flange or front flange ring
- Other units of measurement ex. PSI, Mpa, kPa, kg/cm<sup>2</sup>
- Maximum pointer
- Other thread connection
- Execution for oxygen
- Customers logo

**OPTIONS FOR PRESSURE, VACUUM AND COMPOUND GAUGES  
100, 160 AND 250 MM.  
ALL STAINLESS STEEL, ACCURACY CLASS 1,0**



**DIMENSIONAL DATA IN MM.**

D	a 1	b	b 1	b 4	c	c 1	c 2	d 1	d 2	d 3	d 4	G	g	h	Sw1	s	s 1	s 2	s 3
100	19	48	51	51	6	5	20	116	132	4,8	107	G ½ A	88	87	17	2	5	1,5	4
160	21	51	53	53	6	5	20	178	196	5,8	166	G ½ A	88	118	17	2	5	7	5
250	16	51	50	55	6	5	20	270	285	5,8	-	G ½ A	90	165	17	2	5	6	-



Pressure Gauges can be delivered with certificates according to following standards  
**3-A** Sanitary Standards, **EHEDG** European Hygienic Equipment Design Group, **NACE**,  
**LLOYD** Germany, **ATEX** og **GHOST** – Rusland –Kazakhstan - Ukraine

