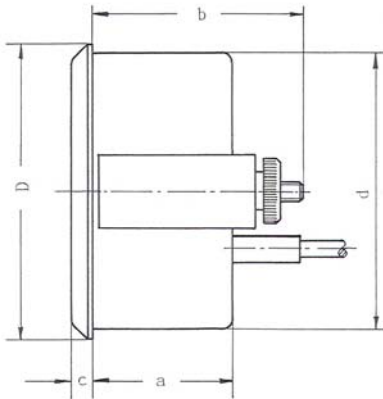


**DISTANT READING THERMOMETERS  
FOR PANEL MOUNTING**



**DIMENSIONAL DATA IN MM.**

TYPE NO.	d	D	a	b	c
1052 KB	52	56	33	45	4
1060 KB	60	64	33	45	4
1080 KB	80	84	33	45	4

<b>CASE</b>	: Sheet steel, corrosion protected. With back adjusting screw
<b>BEZEL AND WINDOW</b>	: Brass, chromium plated, instrument glass
<b>DIAL</b>	: White with black markings. 270 ° defl.
<b>SYSTEM</b>	: Double wounded spring with bimetal compensation
<b>CAPILLARY TUBE</b>	: Plastic covered. Over 120 ° : copper-flex
<b>LENGTH</b>	: 0,5 ... - 10,0 meter.
<b>BULBS</b>	: See datasheet 3.0 B
<b>ACCURACY</b>	: 2,0 ( EN 13 190 )

RANGES °C	GRADUATION	RANGES °C	GRADUATION	RANGES °C	GRADUATION
-40 + 40	: 2	0 - 120	: 2	+50 - 250	: 5
-30 + 50	: 2	0 - 150	: 5	+50 - 350	: 5
0 - 40	: 1	0 - 200	: 5	+100 - 200	: 2
0 - 60	: 1	0 - 250	: 5	+100 - 250	: 5
0 - 80	: 2	0 - 300	: 5	+100 - 300	: 5
0 - 100	: 2	0 - 350	: 5	+100 - 350	: 5

**AVAILABLE ON REQUEST :**

- Capillary tube stainless steel
- Pocket in stainless steel AISI 316
- One way reset marking pointer
- Glycerine filling
- Accuracy : +/- 1 %
- Electrical contacts : 230 V 5 A or 230 V 10 A
- Dual scale °C+°F