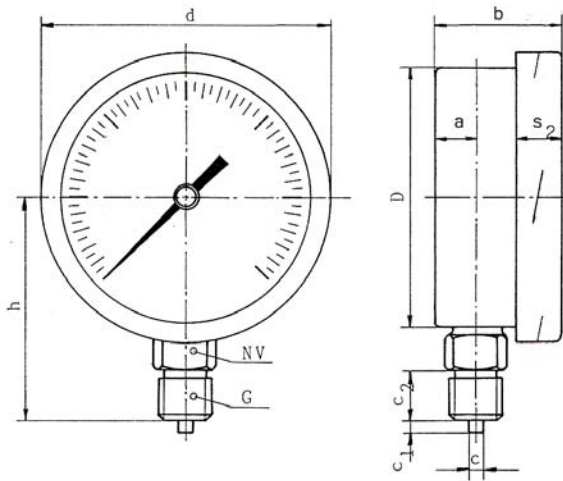


**PRESSURE GAUGES, VAKUUM GAUGES AND COMPOUND GAUGES  
100 AND 160 MM. CLASS 1,0 WITH GLYCERINE FILLING  
ALL STAINLES STEEL**



**DIMENSIONAL DATA IN MM.**

TYPE NO.	D	d	a	b	c	c 1	c 2	s 2	NV	G	h
312 GL	100	110	16	49	6	5	20	13	22	1/2" RG	86
412 GL	150	161	16	50	6	5	20	15	22	1/2" RG	117

- EURONORM** : EN 837-1  
**CASE AND BEZE** : Stainless steel with bayonet lock ring ( 1.4301 ) Blow-out 25 mm. Safety glass  
**DIAL** : White with black markings. 270 ° defl  
**MEASSURING SYSTEM** : Stainless steel 1.4571 (AISI 316)  
**PROTECTION** : IP 67 ( EN 60529 / IEC 529 )  
**AMBIENT TEMP.** : -25....+ 65 °C (option with silicone oil filling: -25....+ 200 °C)  
**ACCURACY** : 1,0.

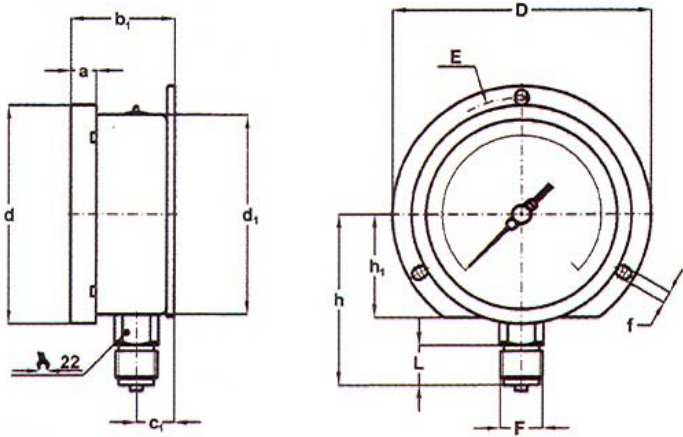
PRESSURE GAUGES				VACUUM GAUGES		COMPOUND GAUGES	
RANGES	DIV.	RANGES	DIV.	RANGES	DIV.	RANGES	DIV.
bar	TYPE 312 412	bar	TYPE 312 412	bar	TYPE 312 412	bar	TYPE 312 412
0-1	:0,01	0-60	:0,5	-1-0	:0,01	-1-0-0,6	:0,01
0-1,6	:0,01	0-100	:1,0			-1-0-1,5	:0,02
0-2,5	:0,02	0-160	:1,0			-1-0-3	:0,02
0-4	:0,05	0-250	:2,0			-1-0-5	:0,02
0-6	:0,05	0-400	:2,0			-1-0-9	:0,1
0-10	:0,1	0-600	:5,0			-1-0-15	:0,1
0-16	:0,1	0-1000	:10,0				
0-25	:0,2	0-1600	:10,0				
0-40	:0,5						

**OPTIONS FOR STAINLESS STEEL PRESSURE GAUGES :**

- Connecting with other threads
- Monel pressure element
- Silicone oil filling
- Restrictor screw in connector
- Transmitter: 4-20 mA or alarm contact
- Chemical seals
- Dual scale ex. PSI, Mpa, kPa, kg/cm2
- One-way reset maximum pointer
- Degreased pressure element for oxygen
- Costumers logo



**OPTIONS FOR PRESSURE GAUGES, VAKUUM GAUGES AND COMPOUND GAUGES  
100 AND 160 MM. CLASS 1,0 WITH GLYCERINE FILLING  
ALL STAINLES STEEL**



Ø 100 / Ø 160 surface mounting flange

DIMENSIONAL DATA IN MM.													
TYPE	a	b1	c1	D	d	d1	E	F	f	h	h1	L	NV
Ø 100	13	52,5	19	132	110	100	116..120	½"	6	86	52	20	22
Ø 160	15	54	19	190	161	150	168..178	½"	6	117	85	20	22

