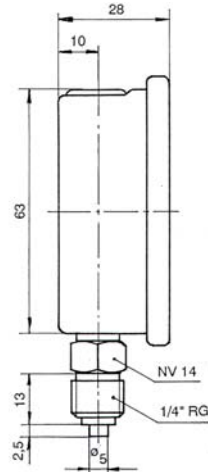
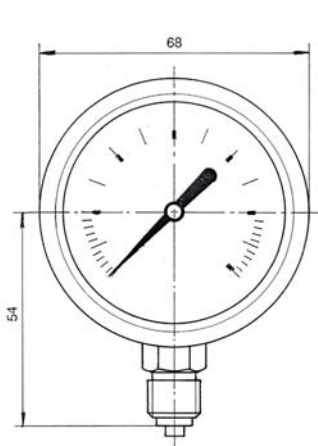
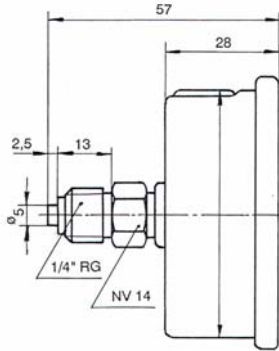
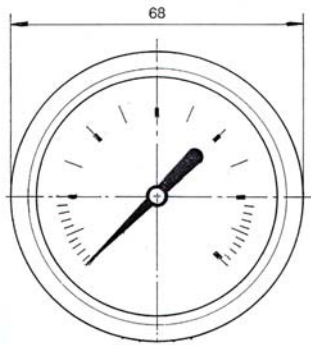


**GLYCERINFILLED PRESSURE GAUGES, VAKUUM GAUGES AND COMPOUND GAUGES
63 MM. CLASS 1,6
ALL STAINLES STEEL**



TYPE: 112 GL



TYPE: 114 GL

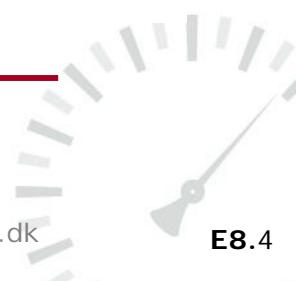


EURONORM	: EN 837-1
CASE AND BEZE	: Stainless steel with bayonet lock ring (1.4301) Blow-out 25 mm. Safety glass
DIAL	: White with black markings. 270 ° defl
MEASSURING SYSTEM	: Stainless steel 1.4571 (AISI 316)
PROTECTION	: IP 67 (EN 60529 / IEC 529)
AMBIENT TEMP.	: -25....+ 100 °C
ACCURACY	: 1,6.

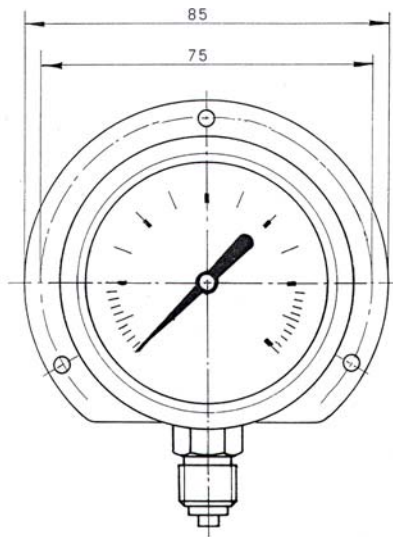
PRESSURE GAUGES				VACUUM GAUGES		COMPOUND GAUGES	
RANGES	DIV.	RANGES	DIV.	RANGES	DIV.	RANGES	DIV.
0-1	: 0,05	0-40	: 1,0	-1-0	: 0,05	-1-0-0,6	: 0,05
0-1,6	: 0,05	0-60	: 1,0			-1-0-1,5	: 0,05
0-2,5	: 0,05	0-100	: 2,0			-1-0-3	: 0,1
0-4	: 0,1	0-160	: 2,0			-1-0-5	: 0,1
0-6	: 0,1	0-250	: 5,0			-1-0-9	: 0,2
0-10	: 0,2	0-400	: 10,0			-1-0-15	: 0,2
0-16	: 0,2	0-600	: 10,0				
0-25	: 0,5	0-1000	: 20,0				

OPTIONS FOR STAINLESS STEEL PRESSURE GAUGES :

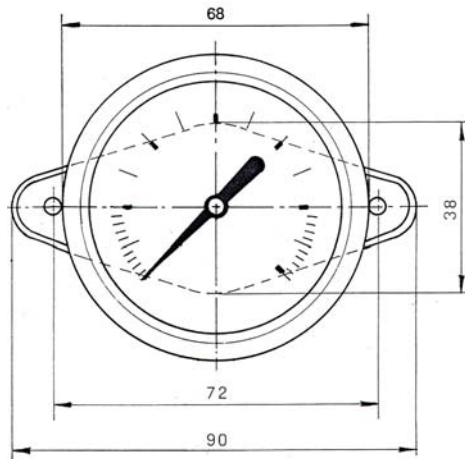
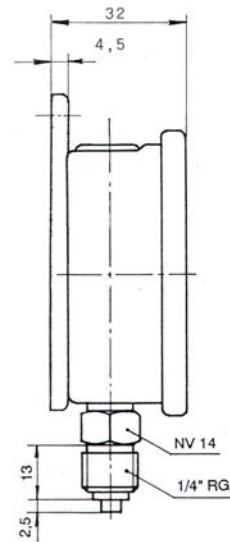
- Connecting with other threads
- Restrictor screw in connector
- Chemical seals
- Dual scale ex. PSI, Mpa, kPa, kg/cm2
- Degreased pressure element for oxygen



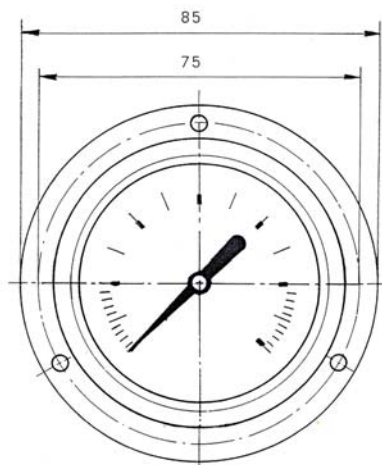
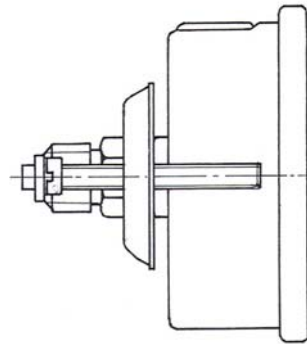
OPTIONS FOR GLYCERINFILLED PRESSURE GAUGES
63 MM. CLASS 1,6
ALL STAINLES STEEL



TYPE 112 B



TYPE 114 B



TYPE 114 F

