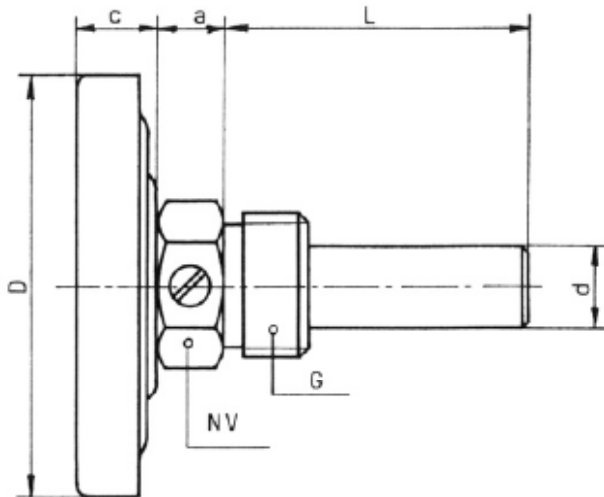


**BIMETAL DIAL THERMOMETERS
STEM HORIZONTAL, ACCURACY 1,0
COMPLETE IN STAINLESS STEEL. WITH OR WITHOUT GLYCERINE FILLING**



DIMENSIONAL DATA IN MM.								
TYPE NO.	D	c	a	NV	G	d	BEZEL	L=STD. IMMERSION TUBE
2930	34	9	10,5	17	¼" RG	8	Moulded	45, 50, 60, 80, 100 120, 160, 200, 300
2950	50	12	10,5	22	½" RG	12	Moulded	
2960	63	13	10,5	22	½" RG	12	Moulded	
2980	80	13	10,5	22	½" RG	12	* Rolled in	
3000	100	15	10,5	22	½" RG	12	* Rolled in	
3040	160	17	10,5	22	½" RG	12	Moulded	

* Available with glycerine filling

CASE AND BEZEL : Stainless steel with bayonet lock ring (1.4301)
DIAL : White with black markings. 270 ° defl
PROTECTION : IP 54
STEM : ø 8 mm. Stainless steel with adjusting screw.
POCKET : ½" BSP Stainless steel ø 10 mm.
ACCURACY : 1,0 (EN 13 190)

RANGES °C	GRADUATION	RANGES °C	GRADUATION	RANGES °C	GRADUATION
-40 + 40	: 1	0 - 50	: 1	0 - 200	: 2
-30 + 50	: 1	0 - 60	: 1	0 - 250	: 5
-20 + 60	: 1	0 - 80	: 1	0 - 300	: 5
-15 + 45	: 1	0 - 100	: 2	0 - 400	: 5
-10 + 60	: 1	0 - 120	: 2	0 - 500	: 5
0 - 40	: 1	0 - 160	: 2	0 - 600	: 10

OPTIONS FOR BIMETAL THERMOMETERS :

- Surface mounting flange
- Panel mounting flange
- Alarm contact
- One-way reset maximum pointer
- Glycerine filling
- Scale range °F or °C+°F
- Other pipe threads
- Red mark on dial